

The
J.J. Ugland
Companies

Ugland Construction

HLV Uglen



Class	DNV
Owner	Ugland Heavylift Shipping AS
Call Sign	LHIF
Lifting Cap.	800 t
Built	1978 (Upgraded 2014)
Built by	Nymo AS

Ugland Construction AS

Haakon VII's gt. 8

4005 Stavanger

Norway

+47 51 56 43 00

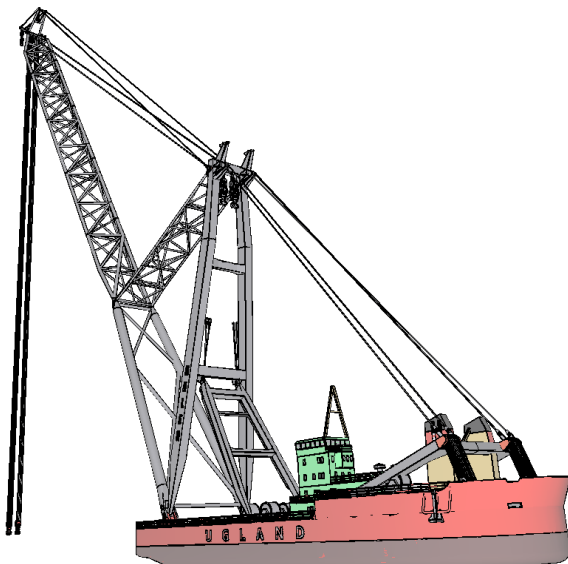
uc@jjuc.no

www.uglandconstruction.no



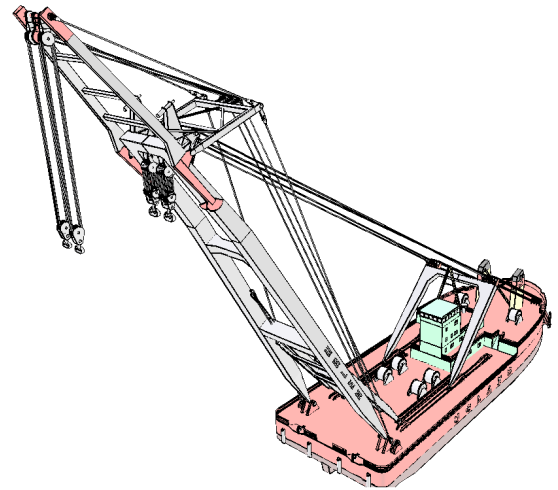
General Data

Year Built	1978 (Upgraded 2014)
Class	DNV
Call Sign	LHIF
Builder	Nymo AS
Length	78,50 m
Beam	26,00 m
Depth	4,096 m
Draught to Keel	4.27 m
Draught to Bottom of Thrusters	5,77 m
Gross Tonnage	3977 t
Net Tonnage	1193 t
Propulsion Units	2x 735 kW Schottel Azimuth
Transverse Thrusters	2 x 368 kW with controllable Pitch Propellers
Alternators	3 x 1070 kW Diesel Driven



Transit Heights

Height	33 m
With Jib mounted	33 m
Height	28 m
Without Jib Mounted	28 m



Equipment

Ship Anchors	2 pcs - 2160 kg, 40 mm dia. L = 220 m
High Holding Power Anchors	4 pcs - 3000 kg, 40mm dia. L = 1200 m 29 t Pulling Power
Winches	6 Crane Winches 4 Mooring/ Aux. Hoisting Winches 2 Mooring Winches/ Windlasses
Deck Crane	1 x Aux. / Hydraulic Crane cap. 20 Tm 2x 500m³ /h with Ballast Water
Ballast system	Treatment system Remotely Operated
Radio Equipment	Radio Telephony Station UHF Portable Radio for Internal Communication Radar
Electronic Equipment	Gyro Compass/ Autopilot Echo Sounder GPS AIS ECS (ECDIS from 2015)



